

TR₁
2SA102
Conv.

TR₂
2SA101
1st IF Amp.

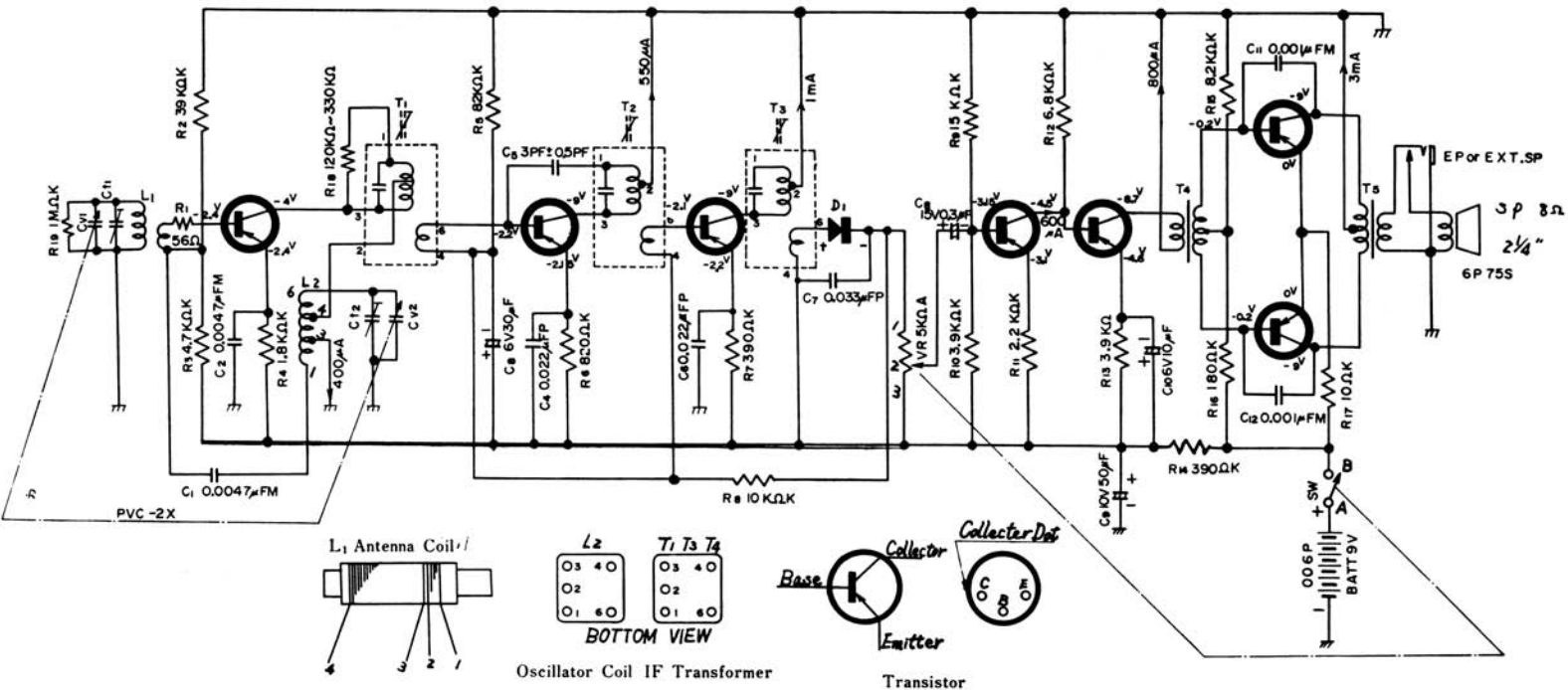
TR₃
2SA101
2nd IF Amp.

D₁
0A90
Det. & AGC

TR₄
2SB171
1st AF Amp.

TR₅
2SB175
2nd AF Amp.

TR₆ & TR₇
2SB172×2
Power Amp.

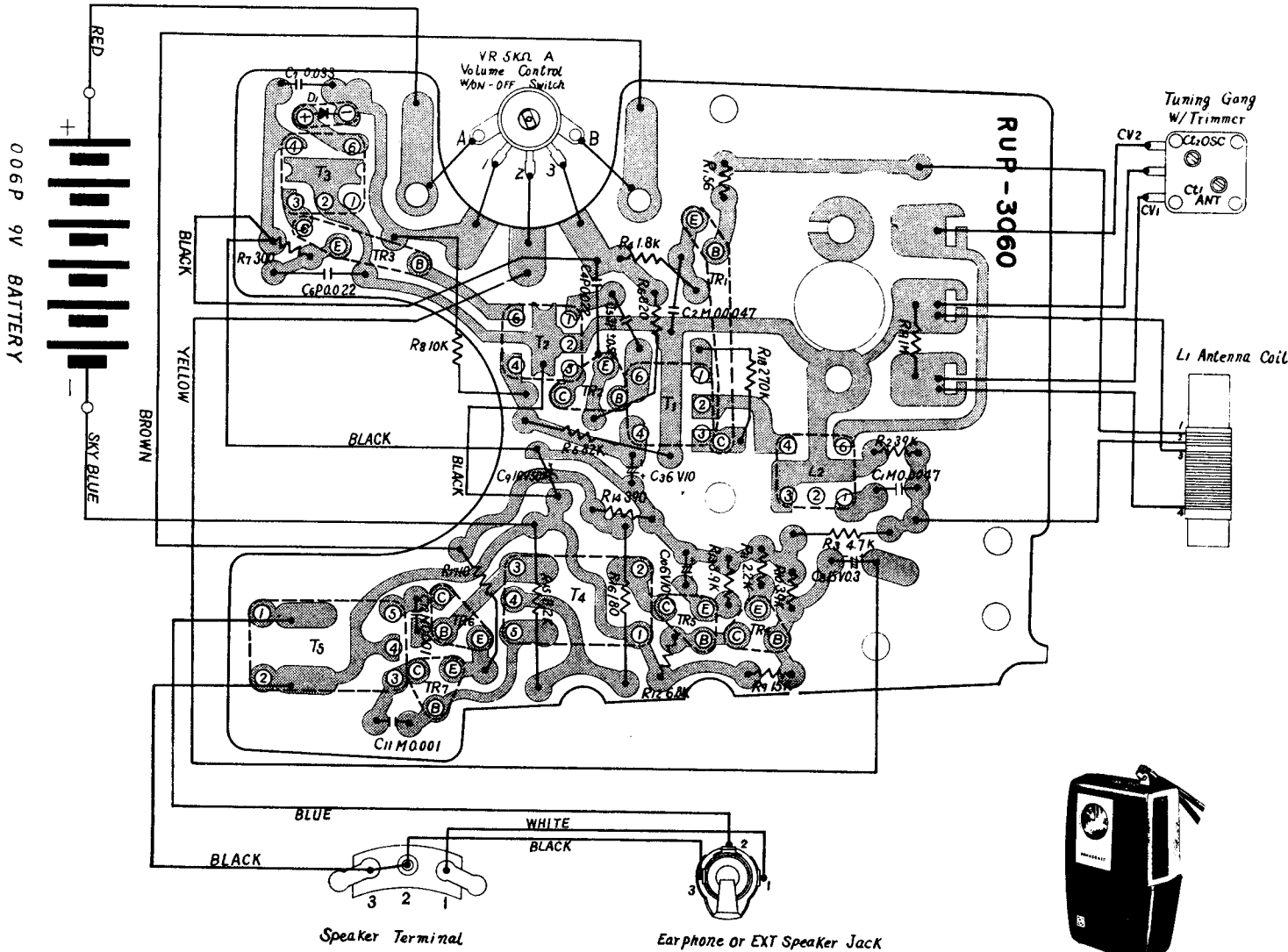


Notes:

1. S: Power source switch in "OFF" position.
2. DC voltage indicated are taken with circuit tester.
3. Indicated voltage are from transistor terminal to positive side of battery.
4. Capital letters (M, K, P,) in the circuit diagram show allowable tolerances of resistors and capacitors as

follows:

- | | | |
|----------|----------|-----------|
| M = ±20% | K = ±10% | P = +100% |
| | | -0 % |
5. Battery current; No signal..... 8mA
Maximum output... 48mA
 6. PF=pico farad=mmf
μF=micro farad=MF



- Notes :**
1. All resistor values in ohms (K=1000Ω).
 2. All capacitor values in micro farads (P=μF).
 3. S: Power source switch in "OFF" position.

